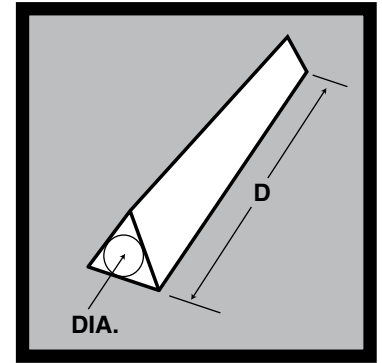


FPF

**CORRUGATED (DIE-CUT)
SELF-LOCKING FIVE
PANEL FOLDERS AND
TRIANGLE TUBES**

32 ECT #3 WHITE OUTSIDE

Ideal for mailing rolled material such as Blueprints, Posters, Calendars or Charts — Self-locking ends provide easy opening and closing — Furnished flat — All dimensions are inside dimensions.



TRI

Stock No.	Inside Dimensions L x W x D	AMALGAMATION PERMITTED TO OBTAIN QUANTITY PRICES				PRICE PER EACH IN QUANTITIES OF			
		Wt. Per Each	No. Per Bundle	No. Per Pallet	Less Than 100	100	250	500	1000
FPF1	2 x 2 x 8	.079	50	5600	.90	.770	.662	.601	.529
FPF2	2 x 2 x 12 ¹ / ₄	.112	50	2800	1.05	.867	.751	.673	.596
TRI4	2 DIA. x 12 ¹ / ₄	.170	50	2100	1.09	1.004	.851	.756	.641
FPF3	2 x 2 x 18 ¹ / ₄	.159	50	2800	1.21	1.067	.909	.821	.722
FPF4	2 x 2 x 25 ¹ / ₄	.214	50	1750	1.30	1.118	.968	.868	.793
FPF12	2 ¹ / ₂ x 2 ¹ / ₂ x 8	.102	50	3150	1.05	.976	.812	.761	.707
FPF13	2 ¹ / ₂ x 2 ¹ / ₂ x 12 ¹ / ₄	.142	50	2100	1.21	1.046	.884	.802	.738
FPF19	2 ¹ / ₂ x 2 ¹ / ₂ x 18 ¹ / ₄	.202	50	2100	1.30	1.135	.952	.858	.788
FPF14	2 ¹ / ₂ x 2 ¹ / ₂ x 25 ¹ / ₄	.267	50	1400	1.40	1.199	1.033	.909	.833
TRI6	2 ¹ / ₂ DIA. x 30 ¹ / ₄	.460	50	700	1.67	1.624	1.458	1.378	1.307
TRI7	2 ¹ / ₂ DIA. x 37 ¹ / ₄	.554	50	700	1.84	1.780	1.608	1.525	1.460
FPF5	3 x 3 x 8	.126	50	2100	1.17	1.052	.901	.821	.724
FPF6	3 x 3 x 12 ¹ / ₄	.175	50	2100	1.30	1.118	.968	.868	.793
FPF7	3 x 3 x 18 ¹ / ₄	.243	50	2100	1.31	1.157	.994	.903	.821
TRI8	3 DIA. x 18 ¹ / ₄	.368	50	1400	2.07	1.750	1.525	1.396	1.239
FPF8	3 x 3 x 25 ¹ / ₄	.323	50	1050	1.42	1.239	1.068	.956	.873
TRI9	3 DIA. x 25 ¹ / ₄	.480	50	700	2.20	1.910	1.695	1.553	1.403
FPF10	3 x 3 x 30 ¹ / ₄	.380	50	1400	1.89	1.631	1.403	1.260	1.145
TRI5	3 DIA. x 30 ¹ / ₄	.565	50	700	2.51	2.224	1.954	1.759	1.681
FPF11	3 x 3 x 37 ¹ / ₄	.460	50	1050	2.33	2.039	1.756	1.583	1.441
FPF20	3 ¹ / ₂ x 3 ¹ / ₂ x 18 ¹ / ₄	.290	50	1400	1.50	1.334	1.145	1.046	.963
FPF17	3 ¹ / ₂ x 3 ¹ / ₂ x 25 ¹ / ₄	.381	50	1050	1.89	1.697	1.543	1.399	1.326
FPF15	3 ¹ / ₂ x 3 ¹ / ₂ x 30 ¹ / ₄	.458	50	700	2.24	1.939	1.700	1.564	1.412
FPF18	3 ¹ / ₂ x 3 ¹ / ₂ x 37 ¹ / ₄	.541	50	700	2.46	2.211	1.927	1.747	1.670